

Steamulation® MINI Generation II

INSTRUCTION



A
S
S
E
M
B
L
Y

HEAD ADAPTER

PLATE

CONE ADAPTER

SMOKE COLUMN

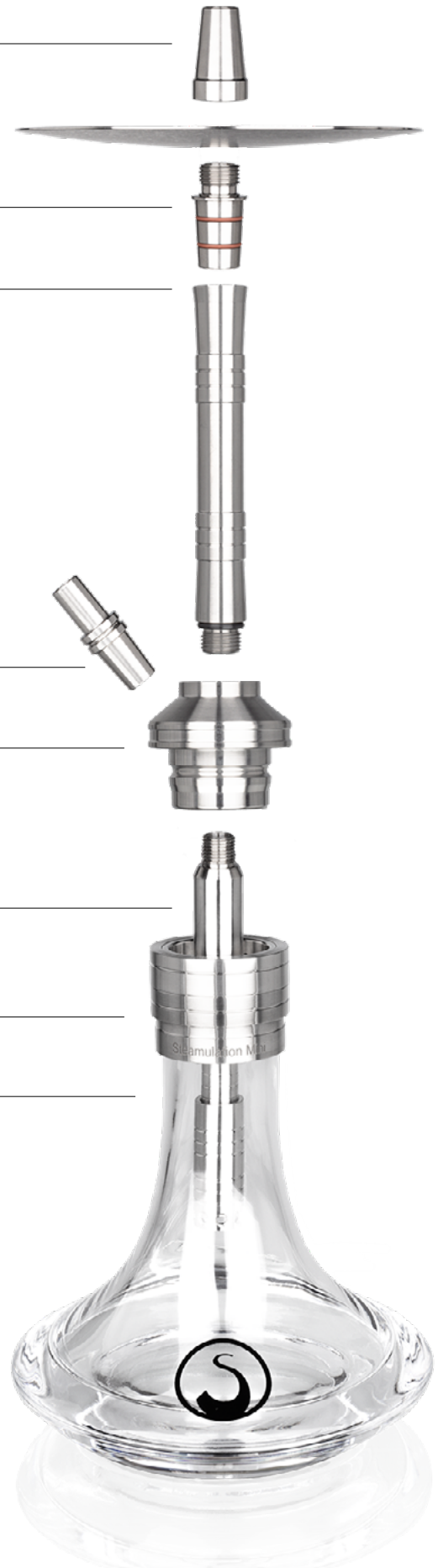
HOSE ADAPTER

BASE

DIP TUBE

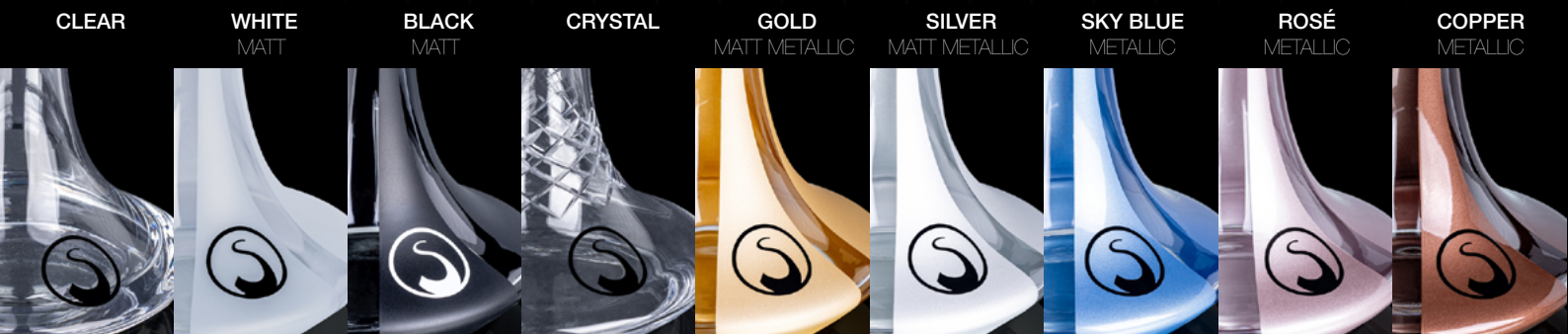
**STEAMCLICK
CLOSURE BOTTOM**

GLASS BOWL



Steamulation® MINI Generation II

FEATURES



NEW

- | Design New exciting refinements and colors [Metal & Glass]
- | SteamClick 360 The fastest closure system worldwide with a rotating base
- | Diffuser Integrated diffuser, which can be deactivated by turning the dip tube

NEW


- | Dip Tube Control Adjustable dip tube for a perfect adaption to every bowl & water lever
- | Durability Wear-resistant thanks to SteamClick, V2A and V4A stainless steel
- | Accessories Thrilling accessories for upgrades and individualisation, maximum compatibility
- | Head adapter Head adapter with optimised grip

NEW

- | Plug-in Option Perfectly fitting Steamulation gasket included in the scope of delivery

NEW

- | Airflow 2.0 Incredible draught optimisation for an improved airflow, compared to its predecessor, by double

 270 PA
Airflow Steamulation Pro X Mini

 127 PA
Airflow Steamulation Mini

Note: 100Pa equals approx. 1cm water column.